



# F Series - F4

## Li-Ion Pallet Truck 1.5T

- All-rounder for diverse applications
- Platform-based design to maximise competitive advantage in the market
- Cost-saving operations throughout the distribution cycle

**LI-ION**  
TECHNOLOGY

**EP EQUIPMENT CO.,LTD**  
[www.ep-ep.com](http://www.ep-ep.com)



## F4 -- All-rounder for diverse applications

F4 brings maximum flexibility in configurations for every application, from occasional usage to heavy duty. Featuring a two power slot design, F4 offers the option of two 24V/20Ah batteries to maximize uptime for full-time applications. The standard single-battery setting comes with a portable storage container to keep everything easily accessible on the go. Its versatility makes F4 an all-rounder, perfect for diverse tasks in the most cost effective way.



**Heavy-duty**



**Occasional usage**

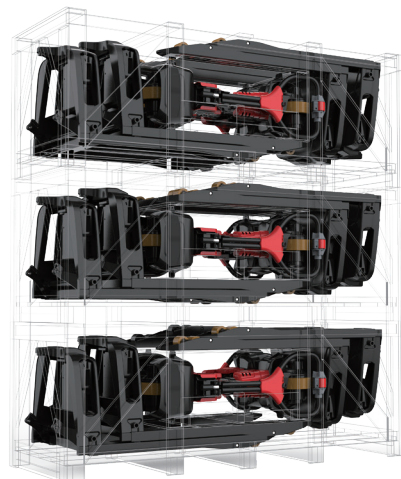
## Why F Series ?

### ■ Platform-based design to maximise competitive advantage in the market

F series features the platform F, which simplifies the configuration of the truck and allows buyers to choose from 4 different chassis by application. The product design provides value and creates a flexible product strategy by introducing new equipment that meets various market requirements.

### ■ Cost-saving operations throughout the distribution cycle

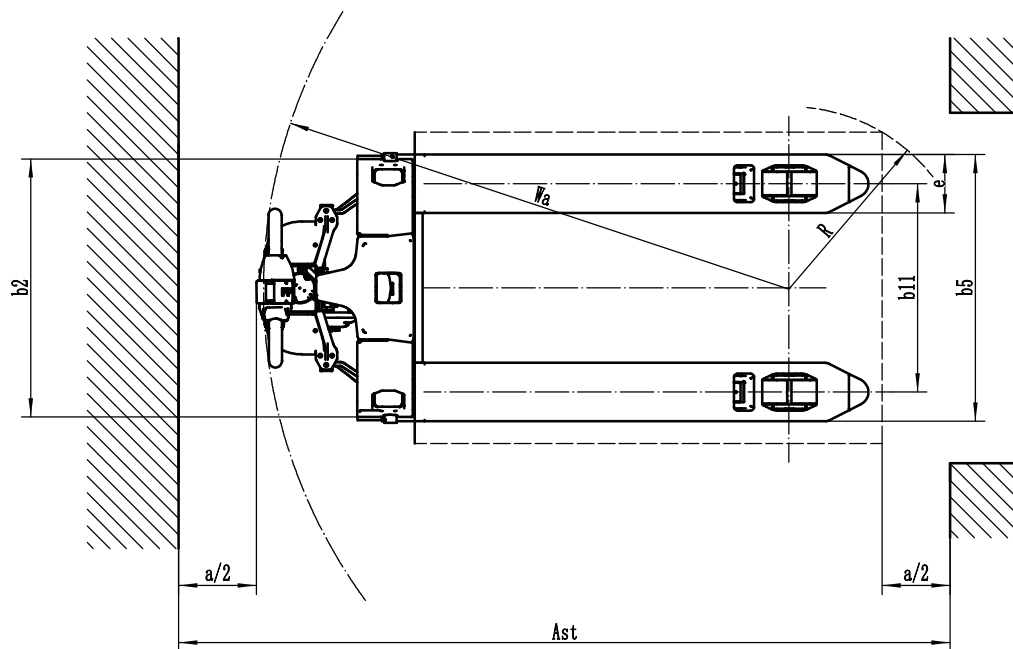
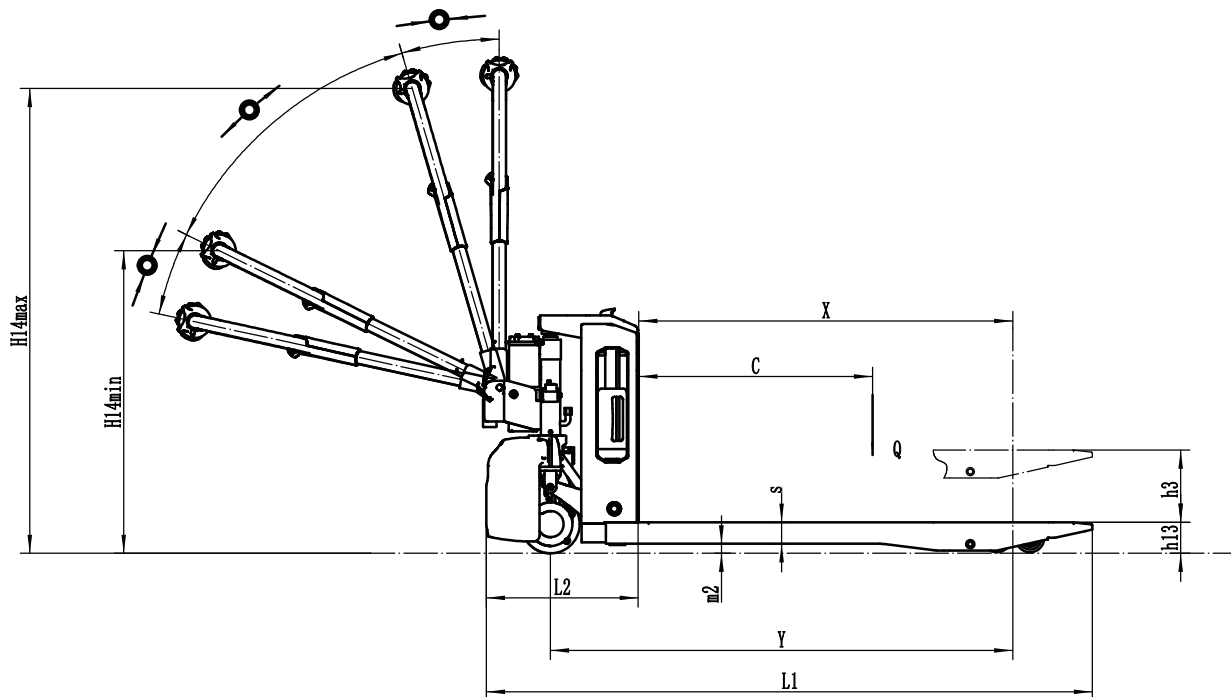
4 units per box as standard wholesale supply reduces overall spending through the entire distribution process. F4 accommodates **176 units** in a 40' shipping container compared to 108 units of EPT12-EZ, that can reach as high as **30-40%** of ocean freight charges reduction.



# Li-Ion Pallet Truck 1.5T F4

Distinguishing mark	1.1	Manufacturer			EP
	1.2	Model designation			F4
	1.3	Drive			Electric
	1.4	Operator type			Pedestrian
	1.5	Load capacity	Q	kg	1500
	1.6	Load center distance	c	mm	600
	1.8	Load distance, centre of drive axle to fork	x	mm	950
	1.9	Wheelbase	y	mm	1180
	Service weight	2.1	Service weight		kg
2.2		Axle loading, laden front/rear		kg	480/1140
2.3		Axle loading, unladen front/rear		kg	90/30
Tyres/chassis	3.1	Tyre type			Polyurethane
	3.2	Tyre size, front			210mm×70mm
	3.3	Tyre size, rear			80mm×60mm
	3.4	Additional wheels (castor wheels)		mm	74mm×30mm
	3.5	Wheels, number front/rear (x=drive wheels)		mm	1x, —/4
	3.6.1	Tread width, front	b <sub>10</sub>	mm	—
	3.7.1	Tread width, rear	b <sub>11</sub>	mm	410 (535)
Dimensions	4.4	Lift height	h <sub>3</sub>	mm	105
	4.9	Height of tiller handle in drive position min./max.	h <sub>14</sub>	mm	750/1190
	4.15	Lowered height	h <sub>13</sub>	mm	88
	4.19	Overall length	l <sub>1</sub>	mm	1550
	4.20	Length to face of forks	l <sub>2</sub>	mm	400
	4.21	Overall width	b <sub>1</sub> /b <sub>2</sub>	mm	590 (695)
	4.22	Fork dimensions	s×e×l	mm	55X150X1150
	4.25	Distance between fork-arms	b <sub>5</sub>	mm	560 (685)
	4.32	Ground clearance, center of wheelbase	m <sub>2</sub>	mm	25
	4.34.1	Aisle width for pallets 1000×1200 crossways	Ast	mm	2160
	4.34.2	Aisle width for pallets 800×1200 lengthways	Ast	mm	2025
	4.35	Turning radius	Wa	mm	1360
	Performance data	5.1	Travel speed, laden/unladen		km/h
5.2		Lifting speed, laden/unladen		m/s	0.017/0.020
5.3		Lowering speed, laden/unladen		m/s	0.058/0.046
5.8		Max. gradeability, laden/unladen		%	6/16
5.10		Service brake			Electromagnetic
Electric-engine		6.1	Drive motor rating S2 60 min		kW
	6.2	Lift motor rating at S3 15%		kW	0.5
	6.4	Battery voltage/nominal capacity		V/Ah	24/20
	6.5	Battery weight		kg	5
	6.6	Energy consumption according to DIN EN 16796		kWh/h	0.18
	6.7	Turnover output according to VDI 2198		t/h	60
	6.8	Turnover efficiency according to VDI 2198		t/kWh	333.33
	Addition data	8.1	Type of drive control		
10.5		Steering design			Mechanical
10.7		Sound pressure level at the driver's ear		dB(A)	74

If there are improvements of technical parameters or configurations, no further notice will be given.  
The diagram shown may contain non-standard configurations.



## Option:

No.	Optional items	F4
1.1	Fork dimension	●1150*560○900*560○1000*560○1220*560○1350*560○1500*560 ○900*685○1000*685○1150*685○1220*685○1350*685○1500*685
1.3	Fork lowered height	●80
1.6	Drive cover off the ground	●55mm
2.1	Load wheel type	●Double○Single
2.2	Load wheel material	●PU
2.3	Drive wheel material	●PU
2.7	Battery capacity	●20AH×1, portable storage box x1○20AH×2○20AH×3○20AH×4
2.8	Charger	●24V-4A external○24V-10A external
2.9	Battery indicator	●Without time
2.16	handle head type	●Hands small handle head
3.3	Castor wheels	●No○Yes and not customized
3.12	Hummer	●Yes and not customized
3.16	Turtle speed	●Yes and not customized
4.8	Drive assembly	●Yes and not customized
Note: ●Standard ○ Optional - Inconformity		